

## 12S305

Ultra Low Distortion Low Midrange Driver



### Features:

- 95 dB sensitivity 1 W / 1 m
- 800 W Power handling
- 3" voice coil
- Double treated cone for water protection
- Triple aluminum demodulating rings for ultra low distortion
- Optimal for compact 2- or 3-way systems
- Light weight carbon fibre diaphragm

## SPECIFICATIONS

APPLICATION	Low-middle	
Nominal Impedance	Ohm	4 + 8
Power handling AES noise	W	800
Sensitivity (1 W / 1 m)	dB	95
Frequency response	Hz	35-2500
Voice Coil Diameter	mm	77
Voice Coil Material		Cu
Voice Coil Winding Depth	mm	32
Magnet Gap Depth	mm	10
Basket		Cast Aluminum
Effect. Diaphragm Diameter D	mm	256

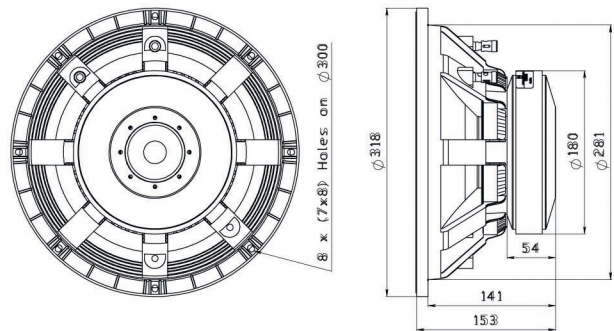
Thiele-Small Parameters			
Resonance Frequency	Fs	Hz	35
DC Resistance	Re	Ohm	5.4
Mechanical Q Factor	Qms		5.8
Electrical Q Factor	Qes		0.278
Total Quality Factor	Qts		0.265
Equivalent Volume	Vas	L	82
Moving Mass	Mms	kg	0.095
Mechanical Compliance	Cms	mm / N	0.218
BL Factor	BL	Tesla m	20.14
Effective Piston Area	Sd	m <sup>2</sup>	0.0515
Max. linear Excursion	Xmax	mm	± 11
Voice Coil Inductance	Le1k	mH	0.7
	Le10k	mH	0.41

Mounting information		
Overall diameter	mm	318
Mounting holes diameter	mm	8 x (7 x 8)
Bolt circle diameter	mm	300
Baffle cut-out	mm	284
Overall depth	mm	153
Net weight	kg	8

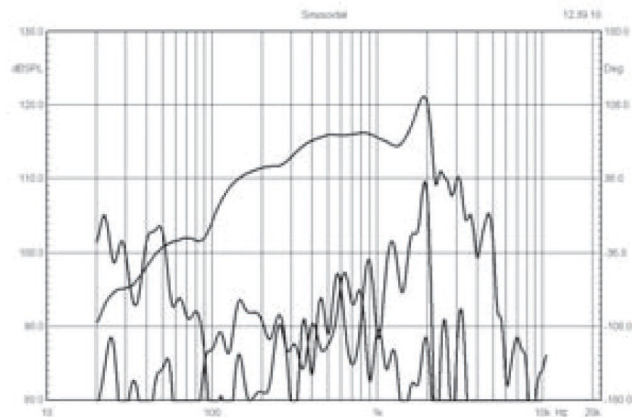
### Recommended reflex enclosure

30L/50Hz, BRD=100mm/226mm

40L/45Hz, BRD=100mm/204mm



Frequency response measured 100 W (28.3 V) at 1 m in a closed enclosure of 50 Liter in an anechoic chamber incl. 2nd and 3rd harmonic distortion raised 20 dB.



### Impedance - 8 Ohm driver

