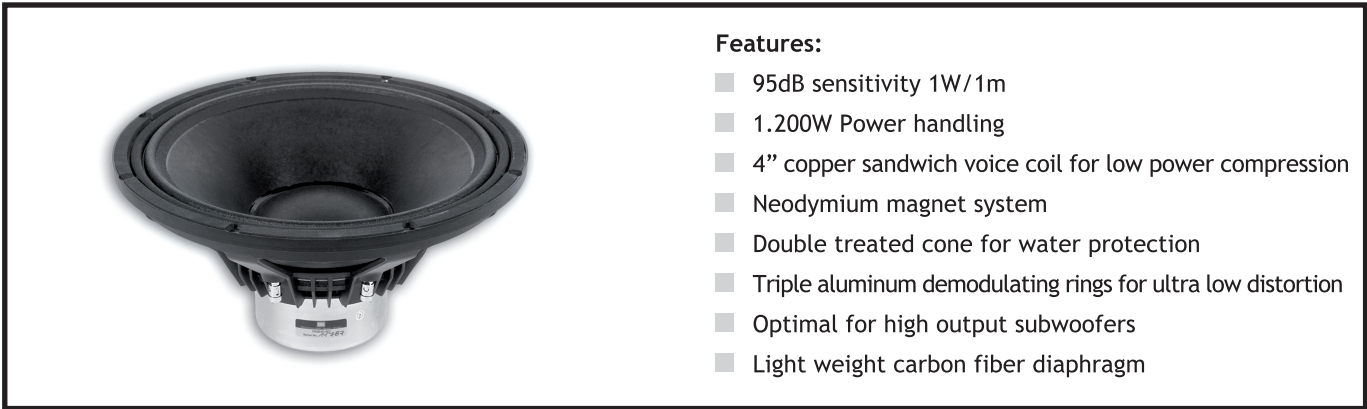


15N840

Neodymium Ultra Low Distortion Woofer

Ultra low distortion series

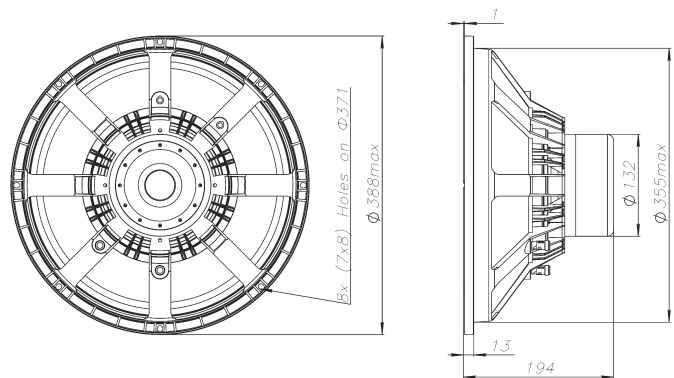


Features:

- 95dB sensitivity 1W/1m
- 1.200W Power handling
- 4" copper sandwich voice coil for low power compression
- Neodymium magnet system
- Double treated cone for water protection
- Triple aluminum demodulating rings for ultra low distortion
- Optimal for high output subwoofers
- Light weight carbon fiber diaphragm

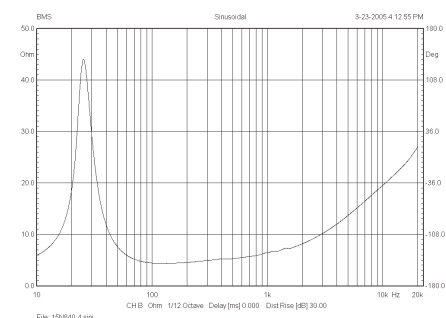
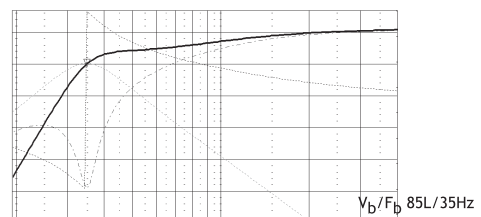
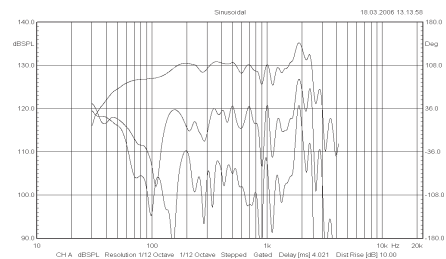
SPECIFICATIONS

APPLICATION	infra-subwoofer	
Nominal impedance	Ohm	8
Power handling AES noise	W	1200
Sensitivity (1W/1m)	dB	95
Frequency response	Hz	22 - 300
Voive coil diameter	mm	101.6 (4")
Voice coil material		Cu
Voice coil winding depth	mm	32
Magnet gap depth	mm	19
Basket		Cast Aluminum
Effect. diaphragm diameter D	mm	330



THIELE - SMALL PARAMETERS			
Resonance frequency	F _s	Hz	35.6
DC resistance	R _e	Ohm	5
Mechanical Q factor	Q _{ms}		5.75
Electrical Q factor	Q _{es}		0.32
Total Quality factor	Q _{ts}		0.30
Equivalent volume	V _{as}	L	145.7
Moving mass	M _{ms}	kg	0.137
Mechanical compl.	C _{ms}	mm/N	0.146
BL factor	BL	Tesla m	24.6
Effective piston area	S _d	m ²	0.0845
Max. linear excursion	X _{max}	mm	± 11
Voice coil inductance	Le1k	mH	0.82
	Le10k	mH	0.31

Frequency response measured 1000W (89.4V) at 1m in a closed enclosure of 100 litre incl. 2nd and 3rd harmonic distortion raised 10dB.



MOUNTING INFORMATION		
Overall diameter	mm	388
Mounting holes diameter	mm	8 x (7 x 8)
Bolt circle diameter	mm	371
Baffle cut-out diameter	mm	358
Overall depth	mm	194
Net weight	kg	6.8

Recommended reflex enclosure:
 70L/42Hz, BRD=180mm/476mm long
 85L/35Hz, BRD=180mm/590mm long

Neodymium Cone Drivers