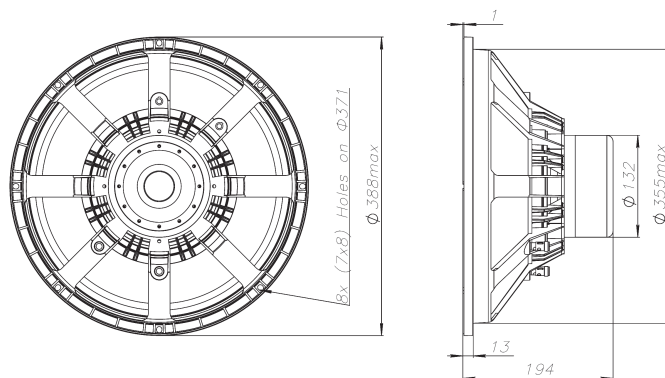


Features:

- 97dB sensitivity 1W/1m
- 1100W Power handling
- 4" copper sandwich voice coil for low power compression
- Neodymium magnet system
- Double treated cone for water protection
- Triple aluminum demodulating rings for ultra low distortion
- Optimal for high output subwoofers

SPECIFICATIONS

APPLICATION	Subwoofer	
Nominal impedance	Ohm	8
Power handling AES noise	W	1100
Sensitivity (1W/1m)	dB	97
Frequency response	Hz	35 - 1000
Voice coil diameter	mm	101.6 (4")
Voice coil material		Cu
Voice coil winding depth	mm	26
Magnet gap depth	mm	10
Basket		Cast Aluminum
Effect. diaphragm diameter D	mm	335



LE - SMALL PARAMETERS			
Resonance frequency	Fs	Hz	39.5
DC resistance	Re	Ohm	4.8
Mechanical Q factor	Qms		4.2
Electrical Q factor	Qes		0.29
Total Quality factor	Qts		0.27
Equivalent volume	Vas	L	159
Moving mass	Mms	kg	0.130
Mechanical compl.	Cms	mm/N	0.144
BL factor	BL	Tesla m	22.4
Effective piston area	Sd	m ²	0.0880
Max. linear excursion	Xmax	mm	± 8
Voice coil inductance	Le1k	mH	0.7
	Le10k	mH	0.45

MOUNTING INFORMATION		
Overall diameter	mm	388
Mounting holes diameter	mm	8 x (7 x 8)
Bolt circle diameter	mm	371
Baffle cut-out diameter	mm	358
Overall depth	mm	194
Net weight	kg	5.7

Recommended reflex enclosure:

70L/44Hz, BRD=180mm/422mm long

85L/41Hz, BRD=190mm/447mm long

Frequency response measured 1000W (89.4V) at 1m in a closed enclosure of 100 litre incl. 2nd and 3rd harmonic distortion raised 10dB.

