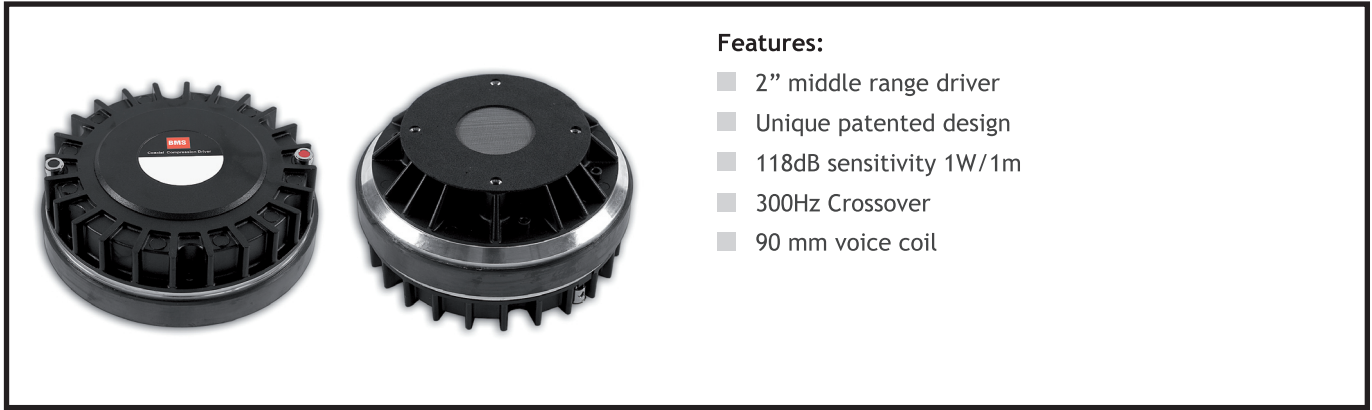


4591

2" middle range compression driver

2" Compression Drivers



Features:

- 2" middle range driver
- Unique patented design
- 118dB sensitivity 1W/1m
- 300Hz Crossover
- 90 mm voice coil

The BMS exclusive voice coil technology employs a light weight Copper Clad Aluminium wire wound inside and outside of the Kapton™ former to improve the heat dissipation, dramatically increasing the acoustic output and reliability of the driver while minimising the power compression.



Ring radiator diaphragm for mid-range from 300 - 7000 Hz

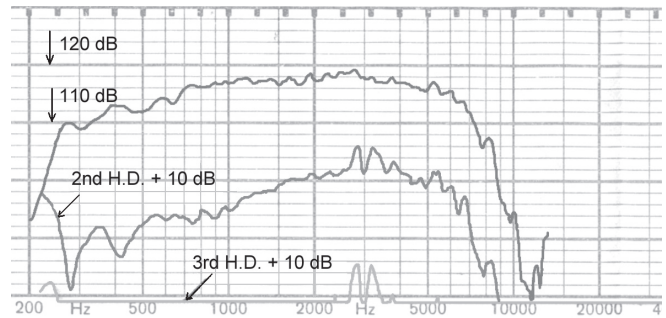
SPECIFICATIONS

Throat diameter	2" (50.8 mm)
Nominal impedance	8 or 16 Ohm
Power capacity (AES)	150 W AES above 400 Hz
Peak Power	1000 W peak above 500 Hz
max SPL	136 dB at 150 W

Sensitivity	
1W/1m	118 dB on 2242 Horn
Frequency range	200 - 9000 Hz
Recommended crossover	300 Hz
min. impedance modulus	8.3 Ohm at 5 kHz
Voice coil diameter	3.5" (90 mm)
Magnet material	Ferrite
Flux density (Tesla)	1.95
Efficiency	35% (300 - 5000Hz)
Voice coil material	Copper Clad Aluminum
Voice coil former	Kapton™
Diaphragm material	Polyester

MOUNTING INFORMATION		
Overall diameter	mm	182 (+/- 3 mm)
Depth	mm	90
Net weight	kg	6
4x M6 holes, 90° on 101.6 mm, 4" diameter		

BMS 4591, 40° x 20° CD Horn, 1W / 1m



BMS 4591, 40° x 20° CD Horn, SPL 1W / 1m

