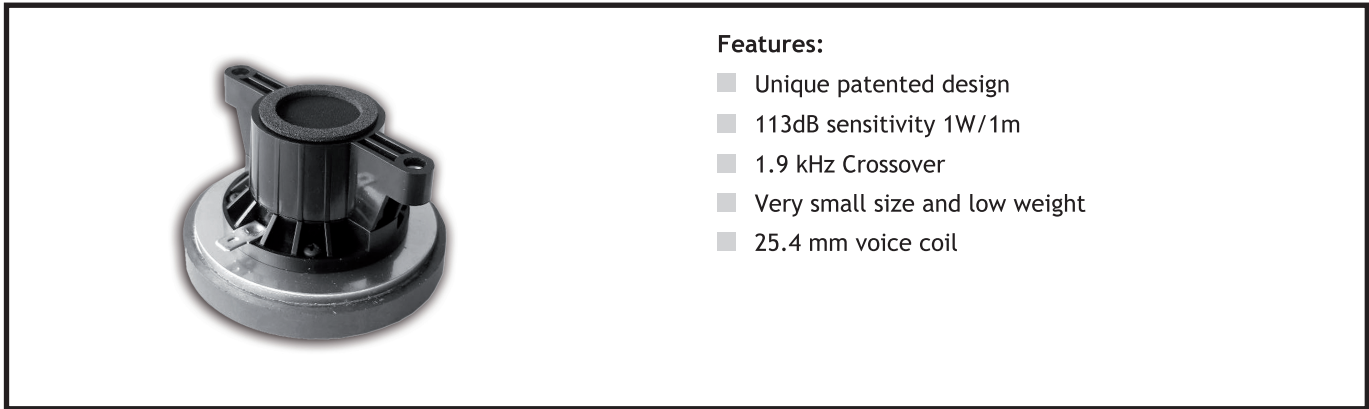


4524

1" High frequency compression driver

1" Compression Drivers

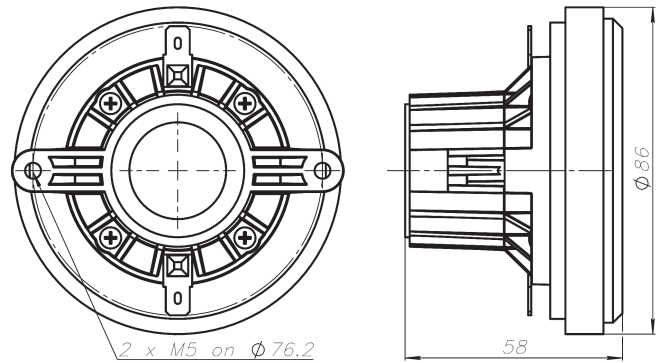


Features:

- Unique patented design
- 113dB sensitivity 1W/1m
- 1.9 kHz Crossover
- Very small size and low weight
- 25.4 mm voice coil

BMS 4524 is an ultra compact 1" professional compression driver that delivers excellent sonic quality. The unique BMS annular diaphragm achieves very high sensitivity and linear frequency response up to 20 kHz. The sound of the BMS4524 has an exceptional dynamic range and produces even the most complex music signals with depth and definition.

The BMS 4524 - 1" compression driver is designed for a wide variety of applications including high fidelity audio, small to medium high quality professional reinforcement systems and studio monitors. The 4524 offers all the benefits of the patented BMS compression driver design, but at much reduced cost.



Compression Drivers

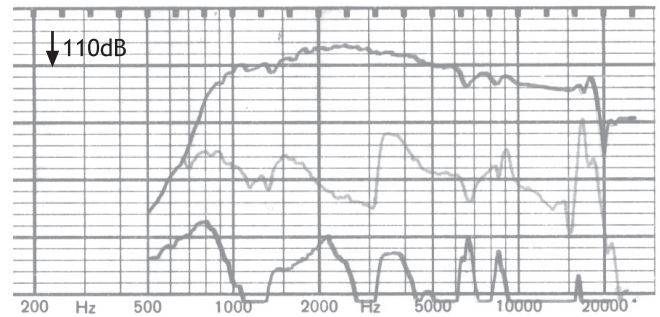
SPECIFICATIONS

Throat diameter	1" (25.4 mm)
Nominal impedance	8 Ohm
Power capacity (AES)	25 W
Peak Power	200 W

Sensitivity	
CD Horn 90° x75°, 1W/1m	113 dB
Plane wave tube, 1mW	117 dB
Maximal SPL (cont.)	127 dB at 25 W
Frequency range	1200 - 30000 Hz
Recommended crossover	1900 Hz
Voice coil diameter	1" (25.4 mm)
Magnet material	Ferrite
Flux density (Tesla)	1.8
Voice coil material	Copper Clad Aluminum
Voice coil former	Kapton™
Diaphragm material	Polyester

MOUNTING INFORMATION		
Overall diameter	mm	86
Depth	mm	58
Net weight	kg	0.665
2x M5 holes, 180° on 76,2 mm		

BMS 4524-8, CD 90/75 Horn, 2nd + 3rd harmonic distortion raised 10dB., SPL 1W / 1m



BMS 4524-8, CD 90/75 Horn, SPL 1W / 1m

